



# TSD800

## Magnetic door sensor



### Short description

TSD800 is a magnetic door sensor with leads. The sensor has a relay ("dry contact") output. The robust design makes it an ideal choice for either metal or wooden doors and windows.

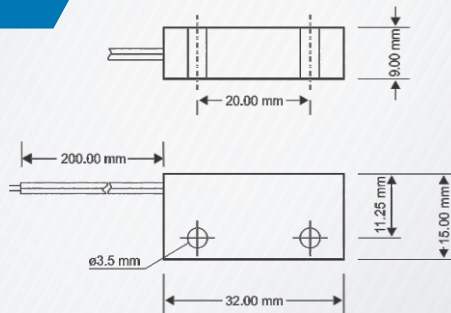
### Applications

- Door or window monitoring security;
- Open window detection for hotel and offices HVAC systems;
- Server rooms and data centers door opening monitoring;
- Building management system (BMS).

### Technical parameters

Parameter	Value	Parameter	Value
Max switching voltage	30V	Housing	Zink alloy
Max switching current	0.2A	Contact	Closed when both parts are close to each other
Ingress protection	IP65		

### Drawings



### Usage

Can be used with following TERACOM controllers

-TCW242 -TCW241 -TCW220 -TCW260 -TCG140-4 -TCG120-4 -TCW122B-CM