

Industrial RFID Access Controller Locky-BF



Short description:

Locky-BF is an electronic device designed to control the access to electric and electronic devices. The controller works with RFID tags in the form of cards, key fobs and stickers. It is formed as a button, in which are embedded controller and the reading antenna.

Options:

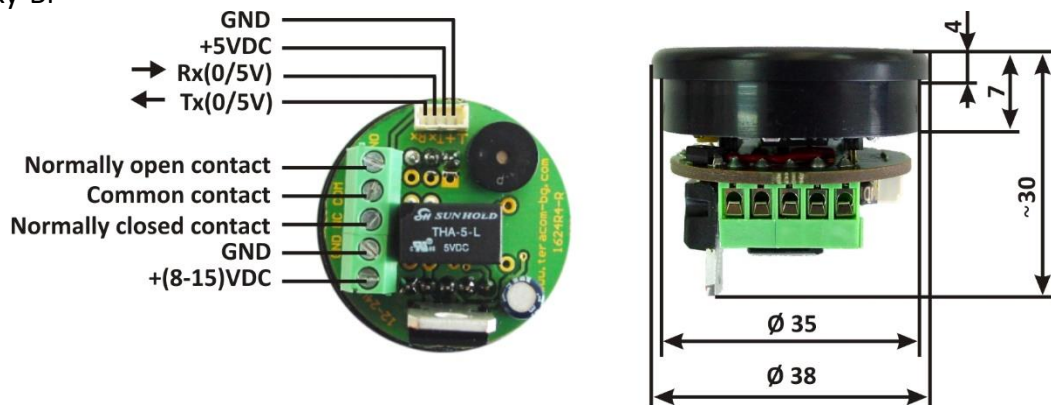
- Can be programmed by service tag - adding and group deleting identifiers;
- Can be programmed by *LockyMonitor2* software;
- Credit mode – for each tag can be set number of usage;
- Statistic mode – every usage of tag is counted.

Specifications:

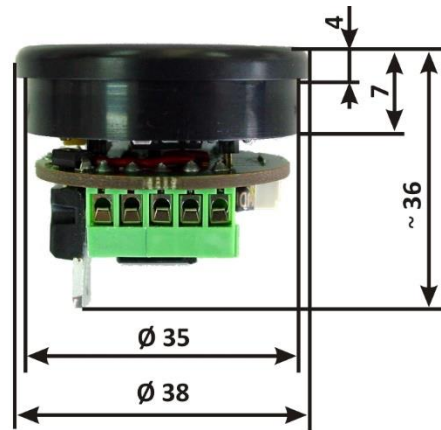
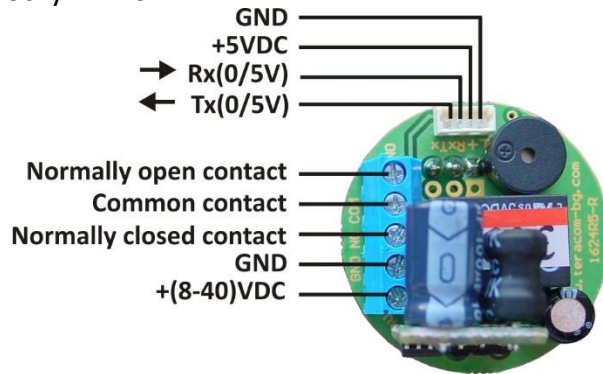
- | | |
|--|----------------------------------|
| - Operating temperature range | -10 to +40°C; |
| - Power supply | |
| Locky-BF | 8-15VDC; |
| Locky-BF-40 | 8-40VDC; |
| - Maximum consumption /with switched on relay/ | 180 mA; |
| - Contact rating | 60V / 0.3A; |
| - Reading range | ≤ 3cm; |
| - Dimensions | |
| Locky-BF | Φ 38mm x 30mm; |
| Locky-BF-40 | Φ 38mm x 36mm; |
| - RFID tags | 125kHz, EM4102 compatible; |
| - Memory | non volatile for up to 500 tags. |

Pin outs and dimensions:

Locky-BF



Locky-BF-40



Modes:

The controller Locky-BF might be one of the following modes:

- Operating mode;
- Adding new identifiers, by the service identifier;
- Deleting all identifiers, by the service identifier;
- Programming by *LockyMonitor2* software.

Operating mode

In this mode, the indicator shines consistently - red or green. The color depends on the condition of the built-in relay – green for on /normally open contact is closed/ or red for off.

If a valid tag is put in the range of antenna, the controller issued a short beep accompanied by a switching relay and the indicator changes color.

If an invalid tag is put in the range of antenna, the controller issued six long beeps without relay switch and indicator flashes three times in the red.

If a service tag is put in the range of antenna, *Locky-BF* enters in adding or deleting modes.

Adding new identifiers

The controller enters in this mode when the service tag is put in the range of antenna. The indicator lights up in yellow, and the controller issues a single beep.

When a new tag is put in the range of antenna the controller issues two beeps and LED flashes once. If the tag has been previously programmed, *Locky-BF* issue consistently one short and three long beeps to ban new record.

Going back to operating mode can be done either by put the service tag in the range of antenna / controller issues four beeps / or automatically - 30 seconds after the last identifier was approached.

Deleting all identifiers

The controller enters in this mode when the service tag is put and hold in the range of antenna. The indicator goes out.

After 8 seconds memory erasure begins, the process is indicated by sequentially flashing and issuing a series of short beeps. The end of the process is indicated by two long beeps, flashing simultaneously and return the device in operating mode. In this mode service tag is not deleted!

Programming by *LockyMonitor2* software

Allows to add/remove/enable/disable tags and change the firmware of controller.

The controller should be connected with cable converter to PC.

Software can be downloaded from www.teracomsystems.com .